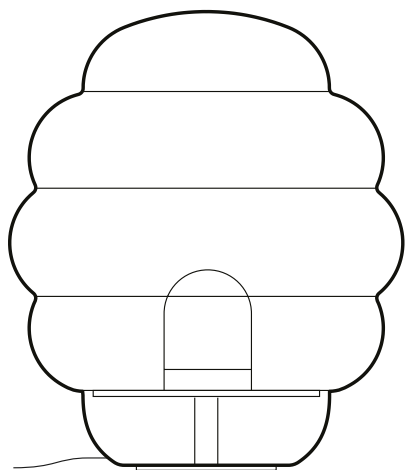


lolimpo

Design by Big-Game



loomma

bomma.cz

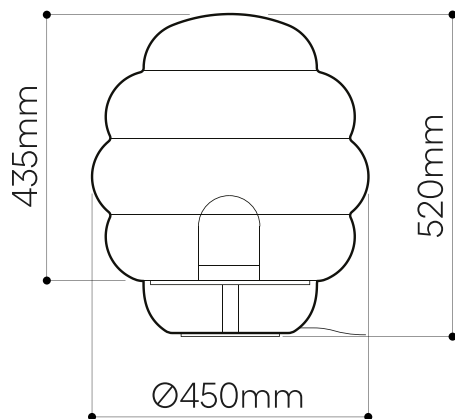
TECHNICAL SHEET

BLIMP floor lamp medium

Design by
Big-Game

Handmade glass attributes

All Bomma products are hand-made from mouth-blown lead-free crystal. Therefore any small bubbles, non-melts and irregularities in the glass are both proof and a characteristic feature of this traditional craft.



LIGHTING DESCRIPTION

Size	dia. 450 mm, H 520 mm dia. 17,7 inch, H 20,5 inch
Cable	black textile braid cable 1,8 m / 70,8 inch
Weight	+/- 20,5 kg / 45,1 lb
Glass	mouth-blown lead-free crystal in clear and amber
Mounting	black (aluminium black elox / steel with black powder coating)
Protection	IP 20
Nominal voltage	220-240V / A.C. 50-60 hz (EU) 110-120 V / A.C. 60 Hz (USA)
Class	II. EU / I. USA

LIGHT SOURCE

Type	LED module 24,5W, 2450lm, 700mA
Base	custom LED module
Voltage	220-240V, AC (EU) / 110-120V, AC (USA)
Temperature	2700 K
Color index	RA 90+
Dimming	Dimmable with TRIAC and CASSAMBI

PACKAGING

Material	Cardboard
Size	660 × 660 × 780 mm 26 × 26 × 30,7 inch

Origin: traditionally produced in the Czech Republic
Intellectual property license holder: Bomma Czech Republic (EU)
Represented by BMRC group s.r.o.

CERTIFICATES

